

PRISMA

P A R M A I T A L Y



checkweigher
+ metal detector

08T3 integrated compact





discover all the details on our web-site!



Technical Specifications

| | |
|---------------------------------|--|
| Weighing range | up to 1600 g |
| Display division | from 0,5 g |
| Linear speed | up to 100 m/min |
| Throughput | up to 300 ppm |
| Accuracy* | from ± 0,5 g |
| Pneumatic supply | 0,6 Mpa |
| Air consumption (for ejection) | 1 NL |
| Power supply | 230V 50/60Hz single phase |
| Power consumption | 700 W |
| Mirror finishing of metal parts | Stainless Steel IP54 - IP65 |
| Climatic environment | from 5°C up to +40°C non-condensing (closed) |

*depending on the weight, dimensions and type of product

Electronics

T3



- Digital electronics with PC Mainboard mini-ITX
- 10,4" TFT color display with touch screen panel
- Windows 10 IoT operating system
- 200 storable product programs

D3



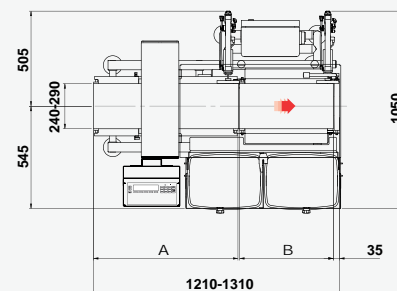
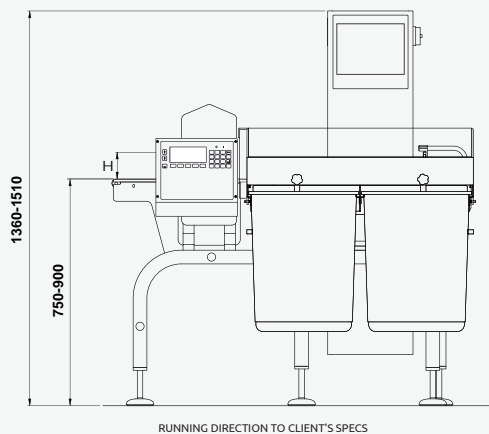
- Digital electronics with alphanumeric graphic display
- 100 storable product programs

Equipment

- Electronic self-calibration device
- 3 levels password access protection
- Mobile average function
- One RS232 serial ports
- Total printouts
- Automatic balancing
- Report archive
- Principle of operation: digital with bidimensional image
- Phase adjustment function
- Working multifrequency
- Function and process alarm output
- Automatic product compensation (Tracking)
- Visualization of product image
- Self-check function
- High immunity to environmental interferences
- Fail-safe mode
- Very high sensibility to all magnetic and not magnetic metals, stainless included
- Production data management in conformity with the standards in force
- In conformity with ISO - FDA - HACCP - GMP - CE regulations and international standards for Electrical Safety and Electromagnetic Compatibility

Optional

- Ejection systems
- Reject management systems
- Stainless steel rejection bin
- Wind-prevention tunnel
- 24-columns panel printer
- Alarms notification
- Separated electronic equipment
- USB Interface
- Ethernet Interface for Industry 4.0 compliance
- Products programs memory expansion
- Feed-back function
- FAT/SAT, IQ/OQ, CFR21 part 11 validations
- MID Certification



| Configurations | | |
|-----------------------------|-------------------------|----------------|
| Metal Detector Opening High | Metal Detector Conveyor | Weighing Plate |
| H | A | B |
| 100 | 670 | 500 |
| 150 | 770 | 500 |
| 200 | 770 | 500 |



The manufacturer reserves the right to change the product specifications without notice. The image and the drawing are indicative of one of the possible configurations of the machine.